



2018 SPRING

www.GrandJK.com



CITY OF INDUSTRY, CA

UNION CITY, CA

KENT, WA



TRADITIONAL

Distinct details combined from many design influences.



TRANSITIONAL

Combination and balance of conventional grace and lived-in comfort.



MODERN

Less is more to achieve modern look.

DOOR STYLES & FINISHES



Mocha Maple Glazed (K10)



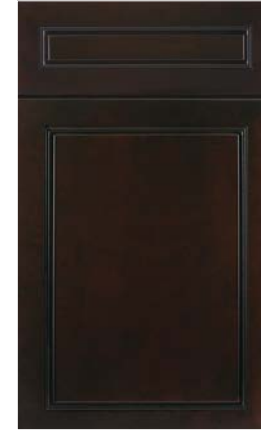
Chocolate Maple Glazed (M01)



Crème Maple Glazed (A7)



Cinnamon Maple Glazed (CO66)



Espresso Maple (K8)



Greige Maple (K3)



Mahogany Maple (J5)



* Craftsman Java Maple (S1)



* Craftsman Almond Maple (S2)



* Craftsman Vita Maple (S8)



* Castle Grey Maple (S5)



* Pearl Maple Glazed (H9)

Note: The photography and color samples shown in this catalog have been reproduced as accurately as printing technologies permit and are for representation only. To ensure the highest satisfaction, we strongly recommend you view an actual product sample prior to ordering cabinetry. Natural wood characteristics such as gum pockets, streaks and pin knots may be visible, particularly with some of our light paints. These characteristics tend to be more pronounced on the backs of our drawers and doors.

* Constructed with all-wood reversed raised panel door.

SUPERIOR CONSTRUCTION

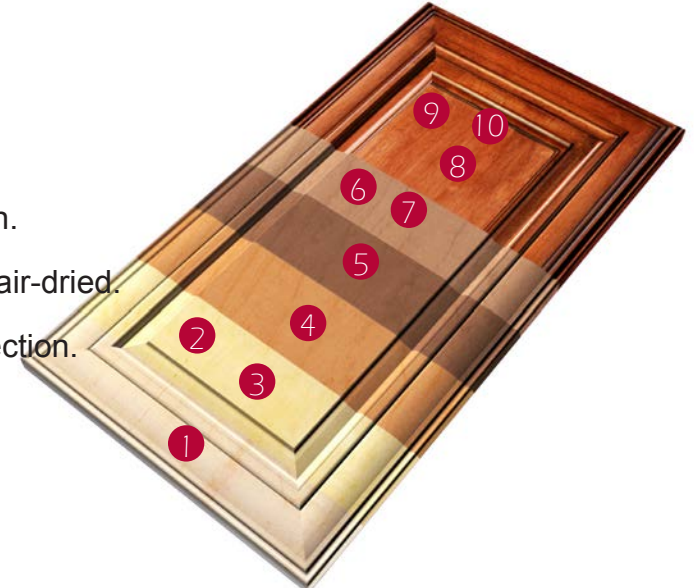


- ① Full overlay door panel, 3/4" thick door panel
- ② 6-way adjustable European hidden metal soft-close hinges
- ③ Adjustable, 15-1/2" depth shelf, 5/8" thick cabinet-grade plywood, metal shelf rests, clear coat finish
- ④ Dovetail drawer, 3/4" thick solid wood sides
- ⑤ Full extension, under-mounted, soft-close, steel concealed drawer glides
- ⑥ 5/8" thick cabinet grade plywood box, clear coat finish
- ⑦ Metal bracket reinforcements for base cabinets
- ⑧ Door bumpers

Tilt-Out Tray
is now Standard
in Kitchen & Bath
Sink Cabinets

THE FINEST FURNITURE FINISHES

1. The finest maple wood is sanded until smooth and vacuumed.
2. An equalizer stain is applied to balance the base color of the wood.
3. A toner is then applied to establish color uniformity.
4. A deep penetrating stain is then applied to reveal the hidden beauty of the natural grain.
5. All stained surfaces are then hand-rubbed and wiped of excess stain, and then slowly air-dried.
6. A wood sealer is then applied, penetrating all exposed wood surfaces for uniform protection.
7. All surfaces are then hand-sanded, providing a smooth, consistent surface.
8. A glaze is applied by hand (if applicable).
9. A color consistency examination is performed with additional touch-up if needed.
10. A final protective top coat is applied, maximizing resistance to scuffing, moisture, fading and most household chemicals.



THE BEAUTY OF REAL WOOD CABINETRY

Maple is a strong, fine-grained wood that is mainly off-white in color, although it may contain light hues of yellow-brown or pink. It may also contain natural imperfections which add character and uniqueness to the wood.

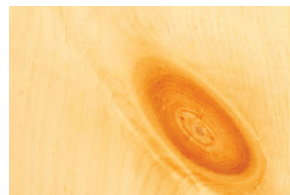
NATURAL MAPLE WOOD CHARACTERISTICS



Arce



Burl Grain



Open Knots



Bird's Eye



Mineral Streaks



Heartwood

KITCHEN CABINETS



Red mahogany stained maple wood in a refined transitional style

Mahogany Maple



Crème colored maple wood with a bold bronze glaze in a transitional style

Crème Maple Glazed



Chocolate stained maple wood with a rich dark glaze in a transitional style

Chocolate Maple Glazed



Cinnamon stained maple wood with dark glaze in a transitional style

Cinnamon Maple Glazed



Mocha stained maple wood with a rich dark glaze in a transitional style

Mocha Maple Glazed



Light cream painted maple wood in a contemporary style

Pearl Maple Glazed



Mixture of grey and beige color paint on maple wood in a sleek contemporary style

Greige Maple



Espresso stained maple wood in a sleek contemporary style

Espresso Maple



White painted maple wood in a contemporary shaker style

Craftsman Vita Maple



Java stained maple wood in a contemporary shaker style

Craftsman Java Maple



Stained maple wood in a contemporary shaker style

Craftsman Almond Maple



Grey painted maple wood in a contemporary shaker style

Castle Grey Maple
NEW

BATHROOM VANITY

BATHROOM VANITY CABINET

Bathroom vanity cabinets are constructed just as the kitchen cabinets with the standard 33" high, 21" deep and various widths.



*Shown Chocolate Maple Glazed Vanity (FA3021DL)

Chocolate Maple Glazed Vanity



Craftsman Vita Maple Vanity



Craftsman Java Maple Vanity



Greige Maple Vanity



Cinnamon Maple Glazed Vanity



Crème Maple Glazed Vanity

SPECIALTY CABINETS & SEMI-CUSTOM CABINETS



Hearth Design



Microwave Cabinet



Wall End Shelf



Spice Pull-Out



Spice Drawers



Roll-Out Tray



Plate Rack



Lazy Susan



MOLDINGS & DECOR



Décor Door Panel



Molding



Corbel



Glass Cabinet



Corbel



Décor Door Panel

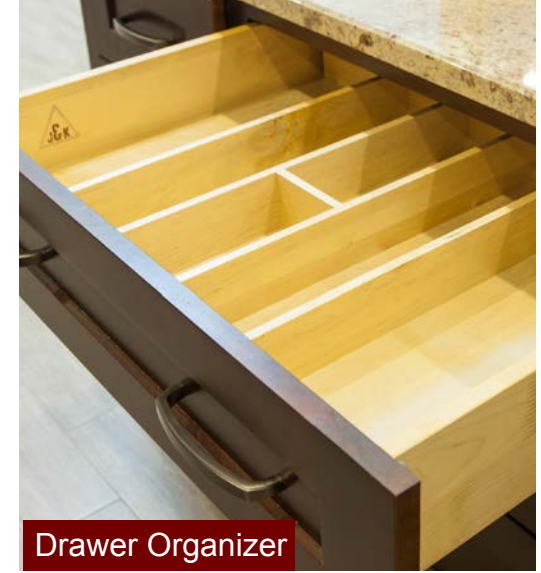
STORAGE & ORGANIZATION



Spice Pull-Out



Blind Corner Optimizer



Drawer Organizer



Spice Storage



Waste Basket



Metal Plate Rack

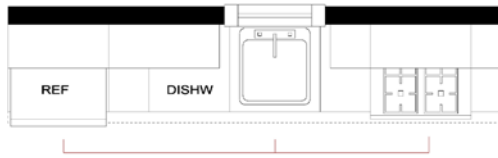
PLANNING YOUR DREAM KITCHEN

5 Standard Kitchen Layouts

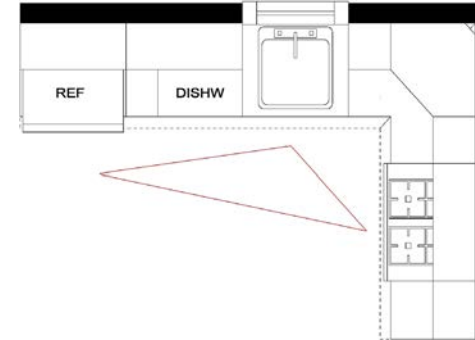
The very first step of the planning process is to determine the possible layout of your kitchen. There are five basic kitchen shapes: Straight, Galley, L-shape, U-shape, and G-shape.

The Traditional Work Triangle

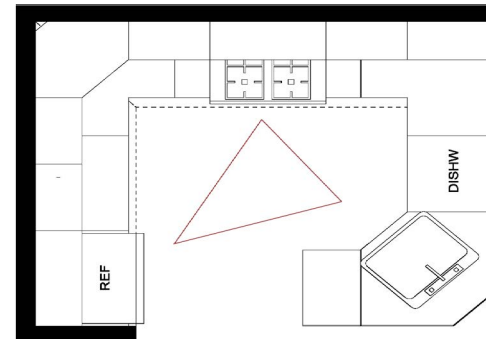
The work triangle is the standard configuration used by professionals for designing efficient kitchens. The three magical points are the areas between the refrigerator, range and sink.



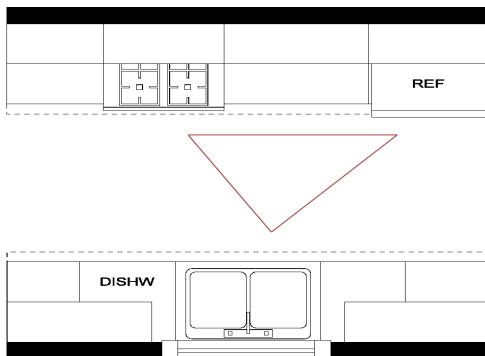
The **STRAIGHT** configuration is good for smaller homes and apartments. It offers the least efficient kitchen plan but maximizes space.



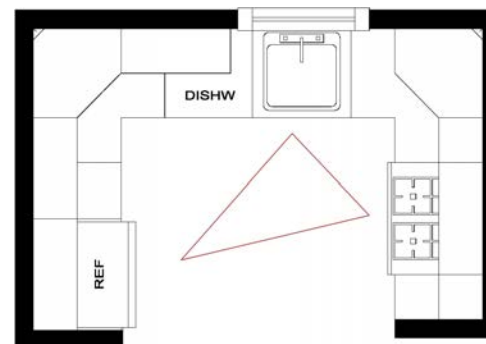
The **L-SHAPE** kitchen is the most common kitchen layout in American households. It provides a good amount of continuous counter space, and the magic work triangle is executed perfectly. This design can also allow for the inclusion of a dining area or island.



The **G-SHAPE** kitchen is a step up from the U-Shape kitchen. This design adds extra cabinet and counter space. In order to avoid feeling too closed-in, this layout works best when two of the walls are open to adjacent spaces.



The **GALLEY** configuration is efficient for up to two cooks in the kitchen. However, the shape allows little extra room for crossing household traffic.



The **U-SHAPE** kitchen is ideal for the solo cook. The continuous countertop and cabinets surround the cook on three sides, putting everything within reach.

GETTING STARTED

MEASURE YOUR SPACE

Accurate measurements are essential to planning your new kitchen. With these measurements your designer will be able to help you create your dream kitchen.

FLOOR PLAN

Using the measuring procedure illustrated, carefully prepare a simple floor plan of your existing kitchen. Your completed floor plan should resemble the diagram shown. Make sure you show the exact locations of doors, windows, range hood vents, gas lines, water lines, drains, switches, outlets, light fixtures, and vents. Double-check all measurements.

MEASURING PROCEDURE

Using a tape measure and graph paper, measure as outlined.

Horizontal Measurement

1. Measure from wall to wall at 36" height.
2. Measure from corner to window or door opening.
3. Measure across opening from trim edge to trim edge.
4. Measure from edge of trim to far wall. Compare sum of #2, #3 and #4 measurements to step #1.
5. Mark exact locations of water line, drain, gas line and electrical outlets/switches on drawing.
6. Measure from wall to wall above window and compare to #1.

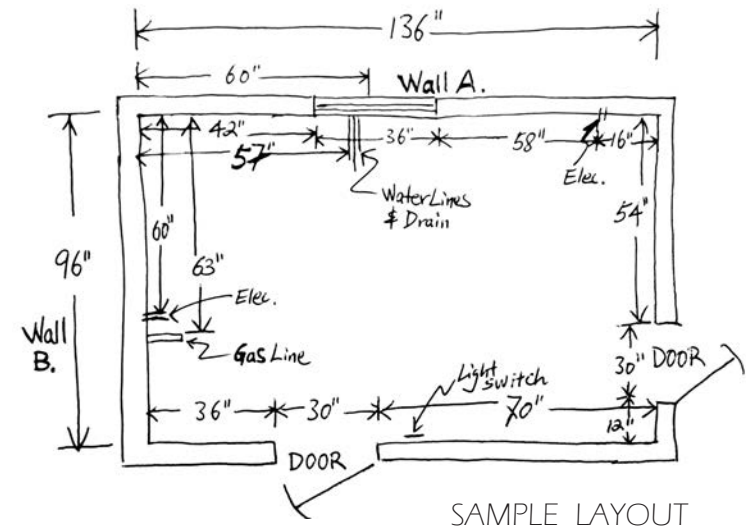
Vertical Measurement

7. Measure from floor to window sill.
8. Measure from window sill to top of window.
9. Measure from top of window to ceiling.
10. Measure from floor to ceiling - Compare to sum of #7, #8 and #9.

APPLIANCE / FIXTURE INFORMATION

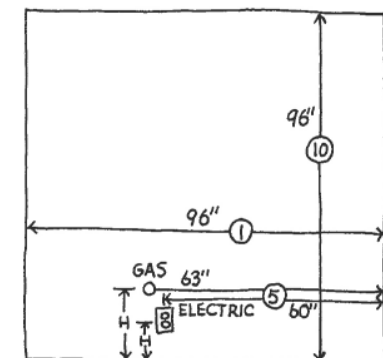
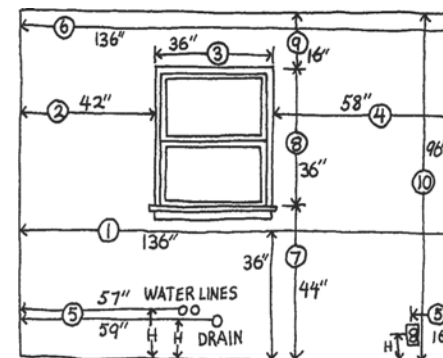
Show desired locations of appliances on drawing. It is very important to indicate natural gas locations, 220 volt outlets, and wall mounted telephone locations (T) and cable TV outlet location (CTV).

	Type	Size (WxHxD)	Hinge Position (L/R)
Refridgerator			
Range			
Cooktop			
Dishwasher			
Sink			
Disposal			
Trash Compactor			
Other			



WALL A

WALL B



UNDERSTANDING J&K SPECIFICATION

The cabinet specifications combines product information, illustrations and features all into one easy-to-use reference manual.

HOW TO READ CABINET ITEM CODE

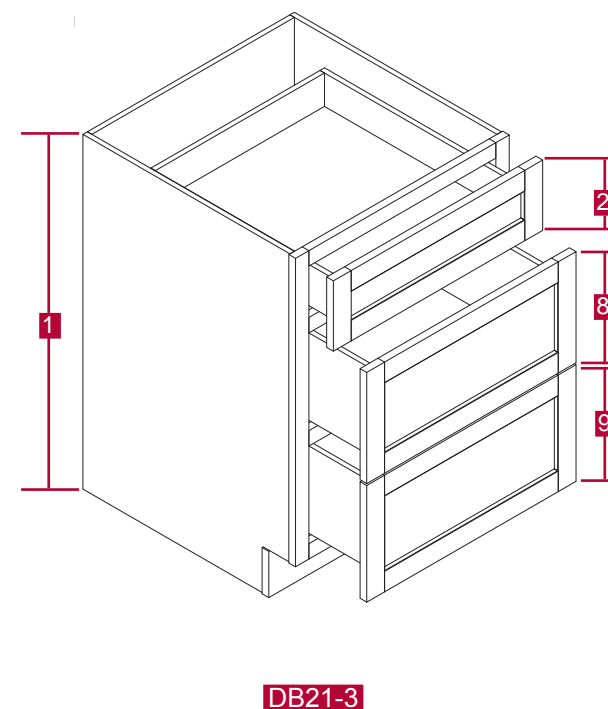
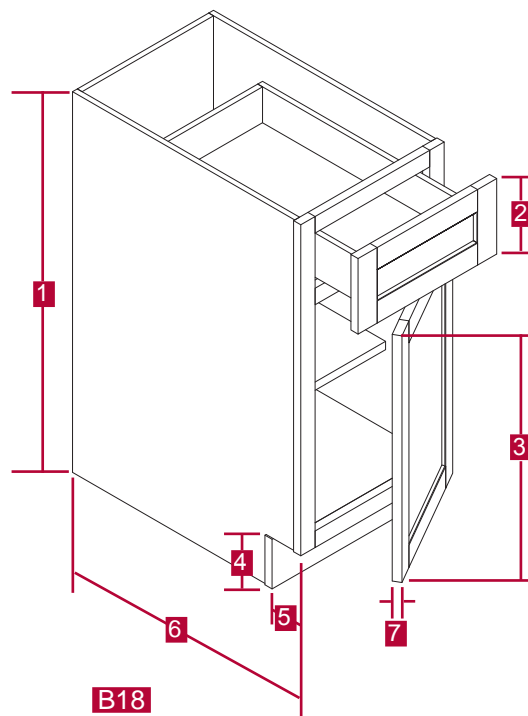


Example:



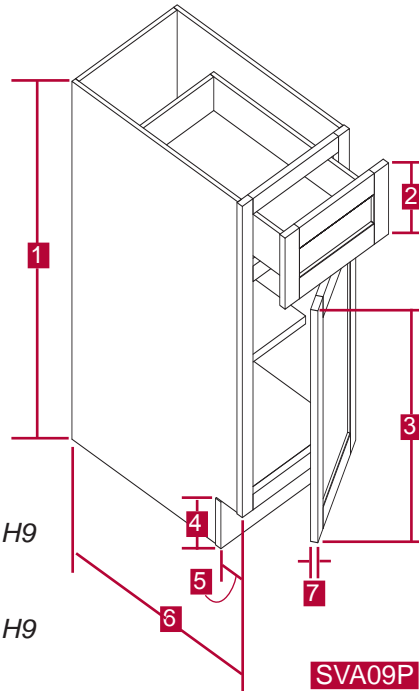
KITCHEN CABINET DIMENSION

- 1** - Standard 34-1/2"
- 2** - 6" on *K10, M01, A7, K8, K3*
7" on *J5, CO66, S1, S2, S5, S8, H9*
- 3** - 23" on *K10, M01, A7, K8, K3*
22" on *J5, CO66, S1, S2, S5, S8, H9*
- 4** - Standard 4-1/2"
- 5** - Standard 2-1/2"
- 6** - Standard 24" (To the face frame)
- 7** - Standard 3/4"
- 8** - 11-3/8" on *K10, M01, A7, K8, K3*
10-7/8" on *J5, CO66, S1, S2, S5, S8, H9*
- 9** - 11-3/8" on *K10, M01, A7, K8, K3*
10-7/8" on *J5, CO66, S1, S2, S5, S8, H9*

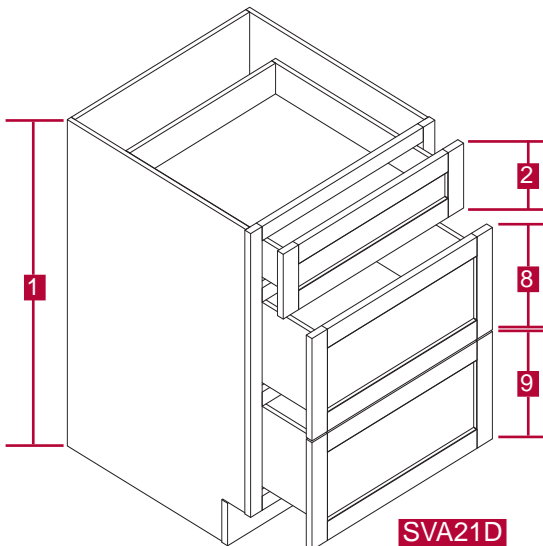


VANITY CABINET DIMENSION

- 1** - Standard 33"
- 2** - 6" on *K10, M01, A7, K8, K3*
7" on *J5, CO66, S1, S2, S5, S8, H9*
- 3** - 21-3/8" on *K10, M01, A7, K8, K3*
20" on *J5, CO66, S1, S2, S5, S8, H9*
- 4** - Standard 4-1/2"
- 5** - Standard 2-1/2"
- 6** - Standard 21" (To the face frame)
- 7** - Standard 3/4"
- 8** - 10-5/8" on *K10, M01, A7, K8, K3*
10-3/16" on *J5, CO66, S1, S2, S5, S8, H9*
- 9** - 10-5/8" on *K10, M01, A7, K8, K3*
10-3/16" on *J5, CO66, S1, S2, S5, S8, H9*



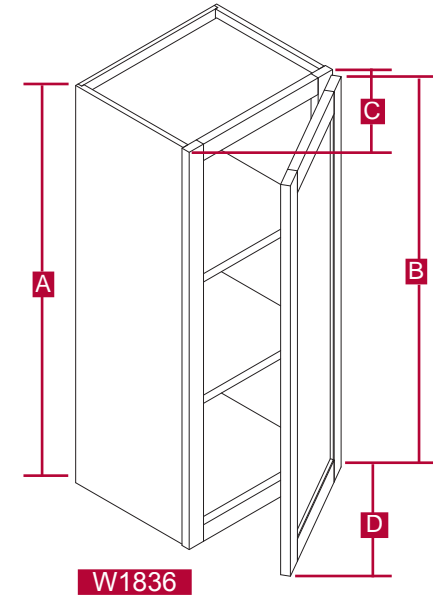
SVA09P



SVA21D

WALL CABINET DIMENSION

- A** - 36"
- B** - 35-1/2" (Door dim.)
- C** - 18"
- D** - 17-3/4" (Door dim.)



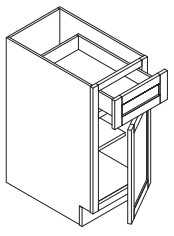
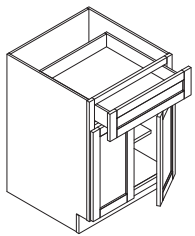
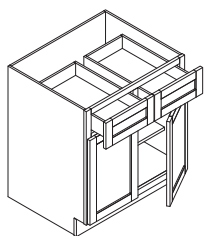
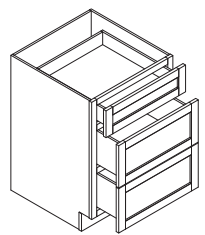
W1836

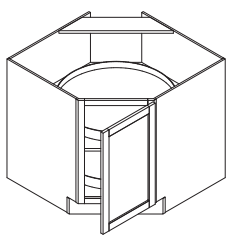
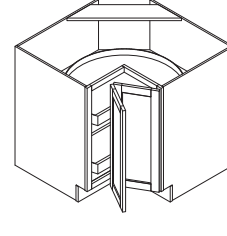
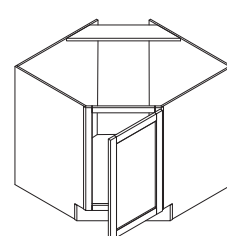
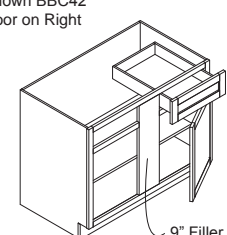
NOTE

Vanity FA#### Cabinets, 1/8" – 1/2" deviation expected.

Door opening direction: Flip the Wall Cabinet to change the hinge side.
Unscrew the Base Cabinet door to switch hinge side.

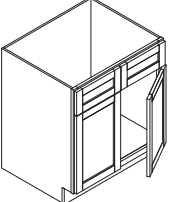
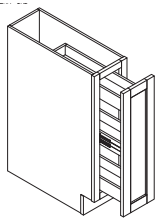
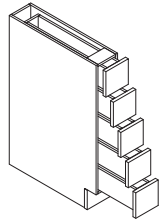
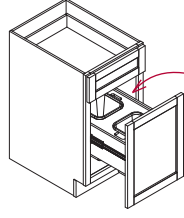

BASE CABINETS

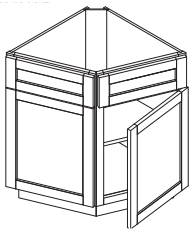
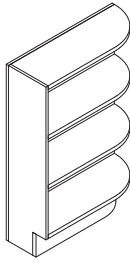
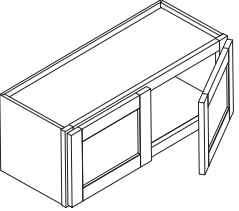
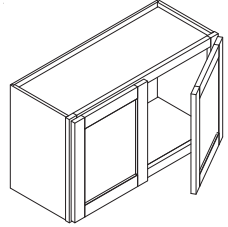
		ITEM CODE	K10	M01	A7	K8 / K3	CO66	J5	H9	S12.5.8	WT./LB	
BASE CABINET WITH ONE DOOR, ONE DRAWER												
	1 Drawer 1 Door 1 Adj. Shelf	B09	A	A	A	A	A	A	A	A	37.0	
		B12	A	A	A	A	A	A	A	A	A	44.0
		B15	A	A	A	A	A	A	A	A	A	46.0
		B18	A	A	A	A	A	A	A	A	A	51.0
		B21	A	A	A	A	A	A	A	A	A	53.0
BASE CABINET WITH TWO DOORS, ONE DRAWER												
	1 Drawer 2 Doors 1 Adj. Shelf	B24	A	A	A	A	A	A	A	A	57.0	
		B27	A	A	A	A	A	A	A	A	A	59.0
BASE CABINET WITH TWO DOORS, TWO DRAWERS												
	2 Drawers 2 Doors 1 Adj. Shelf	B30	A	A	A	A	A	A	A	A	75.0	
		B33	A	A	A	A	A	A	A	A	A	79.0
		B36	A	A	A	A	A	A	A	A	A	82.5
		B42	A	A	A	A	A	A	A	A	A	92.0
BASE CABINET WITH THREE DRAWERS												
	1 Small Drawer 2 Large Drawers	DB12-3	A	A	A	A	A	A	A	A	64.0	
		DB15-3	A	A	A	A	A	A	A	A	A	68.0
		DB18-3	A	A	A	A	A	A	A	A	A	74.0
		DB21-3	A	A	A	A	A	A	A	A	A	79.0
		DB24-3	A	A	A	A	A	A	A	A	A	84.0
		DB30-3	A	A	A	A	A	A	A	A	A	95.0
		DB36-3	A	A	A	A	A	A	A	A	A	101.0

		ITEM CODE	K10	M01	A7	K8 / K3	CO66	J5	H9	S12.5.8	WT./LB
BASE CORNER DIAGONAL CABINET											
	1 Full Door: 14-3/4" x 29-1/4" 2 Wooden Round Susans	CBD36	A	A	A	A	A	A	A	A	77.0
BASE SUPER SUSAN CABINET											
	2 Doors: 10-1/2" W x 29-1/4" H 2 Wooden Kidney Shaped Susans	LS3612	A	A	A	A	A	A	A	A	77.0
BASE DIAGONAL SINK CABINET											
	1 Full Door: 14-3/4" x 29-1/4" No Shelf Note: Back Panel Not Cut for Plumbing	CSB36	A	A	A	A	A	A	A	A	77.0
BASE BLIND CORNER CABINET (L/R)											
	1 Drawer 1 Door 1 Adj. Shelf Note: Min. 3" Pull Off of the Wall When Install Specify Door on Left or Right When Ordering Assembled 9" Filler	BBC42	A	A	A	A	A	A	A	A	72.0

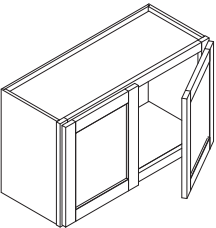
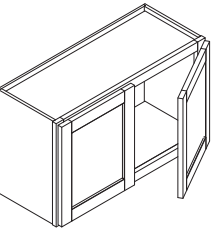
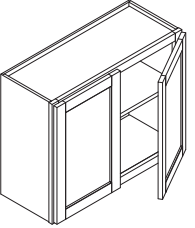
Note: Style and product availability may vary slightly from those shown in this catalog due to material availability and/or improvements to our designs. Specifications are subject to change without notice. Finger joint technique is used in some of our molding and decorative items, which is acceptable in industry standard. Natural variations of wood make the possibility of the finger joints visible. There is 1/4" to 1/2" deviation on all vanity cabinets. Check with your sales representative for product specification before planning your projects.

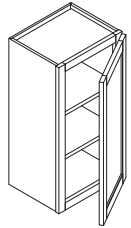
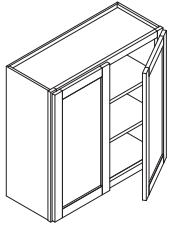
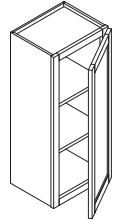
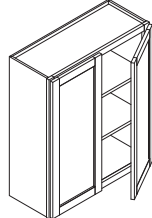
A: Available to Order N: Not Available C: Call First

		ITEM CODE	K10	M01	A7	K8/K3	C066	J5	H9	S1,2,5,8	WT/LB	
SINK BASE CABINET												
	2 Tilt-out Trays 2 Doors: No Shelf Note: Back Panel Already Cut for Plumbing	SB30	A	A	A	A	A	A	A	A	44.0	
		SB33	A	A	A	A	A	A	A	A	A	46.0
		SB36	A	A	A	A	A	A	A	A	A	47.0
		SB42	A	A	A	A	A	A	A	A	A	48.5
SPICE PULL - OUT BASE CABINET												
	Door: 8-3/4" W x 29-1/4" H 3 Wooden Shelves Standard Ball Bearing Side Glide	SP09	A	A	A	A	A	A	A	A	38.5	
SPICE DRAWER BASE CABINET												
	5 Square Drawers : 5-3/4" x 5-1/2" No Glides	BWRC6	A	A	A	A	A	A	A	A	57.0	
WASTE BIN BASE CABINET												
	1 Drawer 1 Door 2 Bin Cut-out	BWBK18-2	A	A	A	A	A	A	A	A	42.0	
		SOLD SEPERATELY  Item: 6910 or 6920 (See Pg.49) Plastic Bin										

		ITEM CODE	K10	M01	A7	K8/K3	C066	J5	H9	S1,2,5,8	WT/LB	
BASE END CORNER CABINET												
	2 Dummy Drawers 2 Doors 1 Adj. Shelf	BEC24	A	A	A	A	A	A	A	A	42.0	
BASE END OPEN SHELF (L/R)												
	9" W x 24" D 3 Fixed Shelves Matching Color Finish Specify Left or Right When Ordering Assembly	BES09	A	A	A	A	A	A	A	A	36.0	
WALL CABINET - 12" H												
	2 Doors No Shelf	W3012	A	A	A	A	A	A	A	A	19.0	
		W3612	A	A	A	A	A	A	A	A	A	22.0
WALL CABINET - 15" H												
	2 Doors No Shelf	W3015	A	A	A	A	A	A	A	A	22.0	
		W3615	A	A	A	A	A	A	A	A	A	24.0

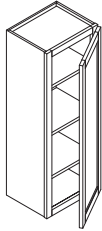
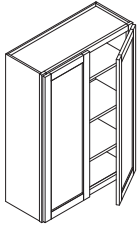
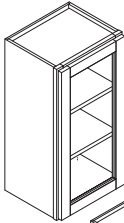
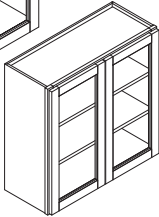
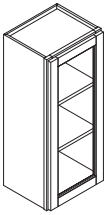
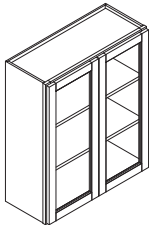
A: Available to Order N: Not Available C: Call First

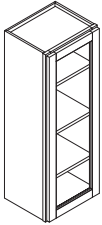
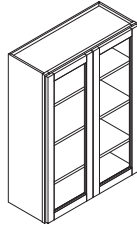
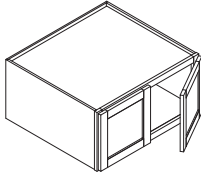
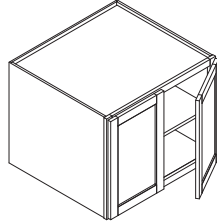
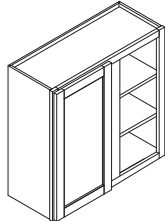
		ITEM CODE	K10	M01	A7	K8/K3	C066	J5	H9	S1,2,5,8	WT/LB
WALL CABINET - 18" H											
	2 Doors No Shelf	W3018	A	A	A	A	A	A	A	A	24.0
		W3618	A	A	A	A	A	A	A	A	A
WALL CABINET - 21" H											
	2 Doors No Shelf	W3021	A	A	A	A	A	A	A	A	26.0
		W3621	A	A	A	A	A	A	A	A	A
WALL CABINET - 24" H											
	2 Doors 1 Adj. Shelf	W3024	A	A	A	A	A	A	A	A	31.0
		W3624	A	A	A	A	A	A	A	A	A

		ITEM CODE	K10	M01	A7	K8/K3	C066	J5	H9	S1,2,5,8	WT/LB	
WALL CABINET - 30" H												
 	9" - 21" W: 1 Door 24" - 42" W: 2 Doors 2 Adj. Shelves	W0930	A	A	A	A	A	A	A	A	18.0	
		W1230	A	A	A	A	A	A	A	A	A	22.0
		W1530	A	A	A	A	A	A	A	A	A	24.0
		W1830	A	A	A	A	A	A	A	A	A	26.0
		W2130	A	A	A	A	A	A	A	A	A	31.0
		W2430	A	A	A	A	A	A	A	A	A	34.0
		W2730	A	A	A	A	A	A	A	A	A	38.5
		W3030	A	A	A	A	A	A	A	A	A	41.0
		W3330	A	A	A	A	A	A	A	A	A	44.0
		W3630	A	A	A	A	A	A	A	A	A	47.0
W4230	A	A	A	A	A	A	A	A	A	51.0		
WALL CABINET - 36" H												
 	9" - 21" W: 1 Door 24" - 42" W: 2 Doors 2 Adj. Shelves	W0936	A	A	A	A	A	A	A	A	21.0	
		W1236	A	A	A	A	A	A	A	A	A	24.0
		W1536	A	A	A	A	A	A	A	A	A	27.5
		W1836	A	A	A	A	A	A	A	A	A	31.0
		W2136	A	A	A	A	A	A	A	A	A	33.0
		W2436	A	A	A	A	A	A	A	A	A	38.5
		W2736	A	A	A	A	A	A	A	A	A	43.0
		W3036	A	A	A	A	A	A	A	A	A	46.0
		W3336	A	A	A	A	A	A	A	A	A	48.0
		W3636	A	A	A	A	A	A	A	A	A	51.0
W4236	A	A	A	A	A	A	A	A	A	55.0		

Note: Style and product availability may vary slightly from those shown in this catalog due to material availability and/or improvements to our designs. Specifications are subject to change without notice. Finger joint technique is used in some of our molding and decorative items, which is acceptable in industry standard. Natural variations of wood make the possibility of the finger joints visible. There is 1/4" to 1/2" deviation on all vanity cabinets. Check with your sales representative for product specification before planning your projects.

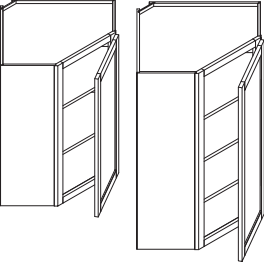
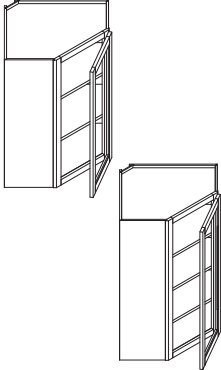
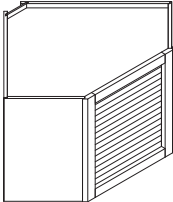
A: Available to Order N: Not Available C: Call First

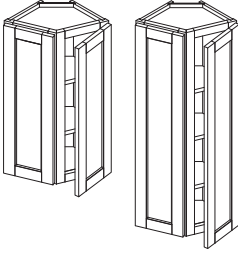
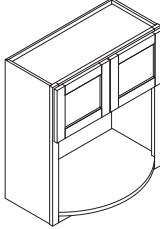
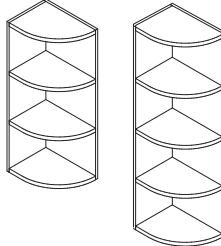
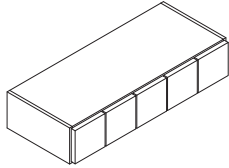
		ITEM CODE	K10	M01	A7	K8 / K3	CO66	J5	H9	S1,2,5,8	WT./LB
WALL CABINET - 42" H											
 	9" - 21" W: 1 Door	W0942	A	A	A	A	A	A	A	A	23.0
	24" - 42" W: 2 Doors	W1242	A	A	A	A	A	A	A	A	29.0
	3 Adj. Shelves	W1542	A	A	A	A	A	A	A	A	32.0
		W1842	A	A	A	A	A	A	A	A	36.0
		W2142	A	A	A	A	A	A	A	A	41.0
		W2442	A	A	A	A	A	A	A	A	46.0
		W2742	A	A	A	A	A	A	A	A	51.0
		W3042	A	A	A	A	A	A	A	A	55.0
		W3342	A	A	A	A	A	A	A	A	58.0
		W3642	A	A	A	A	A	A	A	A	60.0
	W4242	A	A	A	A	A	A	A	A	64.0	
WALL CABINET - GLASS INSERT - READY - 30" H											
 	15" - 21" W: 1 Door	WM1530H	A	A	A	A	A	A	A	A	18.0
	24" - 30" W: 2 Doors	WM1830H	A	A	A	A	A	A	A	A	20.0
	2 Adj. Glass Shelves Not Included	WM2130H	C	C	C	C	C	C	C	C	25.0
	Matching Color Interior	WM2430H	A	A	A	A	A	A	A	A	28.0
	Note: Glass Shelf & Insert Not Included	WM2730H	A	A	A	A	A	A	A	A	29.0
		WM3030H	A	A	A	A	A	A	A	A	30.0
WALL CABINET - GLASS INSERT - READY - 36" H											
 	15" - 21" W: 1 Door	WM1536H	A	A	A	A	A	A	A	A	21.0
	24" - 30" W: 2 Doors	WM1836H	A	A	A	A	A	A	A	A	23.3
	2 Adj. Glass Shelves Not Included	WM2136H	C	C	C	C	C	C	C	C	28.0
	Matching Color Interior	WM2436H	A	A	A	A	A	A	A	A	32.0
	Note: Glass Shelf & Insert Not Included	WM2736H	A	A	A	A	A	A	A	A	33.0
		WM3036H	A	A	A	A	A	A	A	A	34.0

		ITEM CODE	K10	M01	A7	K8 / K3	CO66	J5	H9	S1,2,5,8	WT./LB
WALL CABINET - GLASS INSERT - READY - 42" H											
 	15" - 21" W: 1 Door	WM1542H	A	A	A	A	A	A	A	A	23.0
	24" - 30" W: 2 Doors	WM1842H	A	A	A	A	A	A	A	A	24.0
	3 Adj. Glass Shelves Not Included	WM2142H	C	C	C	C	C	C	C	C	28.0
	Matching Color Interior	WM2442H	A	A	A	A	A	A	A	A	32.0
	Note: Glass Shelf & Insert Not Included	WM2742H	A	A	A	A	A	A	A	A	38.0
		WM3042H	A	A	A	A	A	A	A	A	40.0
REFRIGERATOR WALL CABINET											
 	27" Deep	W301227	C	C	C	C	C	C	C	C	30.0
	2 Doors	W301527	C	C	C	C	C	C	C	C	34.0
	12" - 21" High: No Shelf	W301827	C	C	C	C	C	C	C	C	38.0
	24" High: 1 Adj. Shelf	W302127	C	C	C	C	C	C	C	C	42.0
		W302427	C	C	C	C	C	C	C	C	48.0
		W331227	C	C	C	C	C	C	C	C	33.0
		W331527	C	C	C	C	C	C	C	C	37.0
		W331827	C	C	C	C	C	C	C	C	44.0
		W332127	C	C	C	C	C	C	C	C	48.0
		W332427	C	C	C	C	C	C	C	C	52.0
	W361227	A	A	A	A	A	A	A	A	36.0	
	W361527	A	A	A	A	A	A	A	A	40.0	
	W361827	A	A	A	A	A	A	A	A	44.0	
	W362127	A	A	A	A	A	A	A	A	46.0	
	W362427	A	A	A	A	A	A	A	A	53.0	
WALL BLIND CORNER CABINET - L/R											
	1 Door	WCC3030	C	C	C	C	C	C	C	C	38.0
	30" & 36" H: 2 Adj. Shelves	WCC3036	C	C	C	C	C	C	C	C	43.0
	42" H: 3 Adj. Shelves	WCC3042	C	C	C	C	C	C	C	C	51.0

A: Available to Order N: Not Available C: Call First

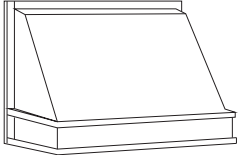
SPECIALTY CABINETS

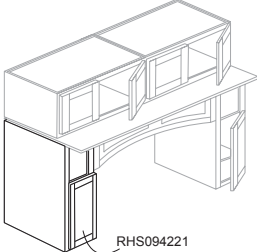
	ITEM CODE	K10	M01	A7	K8/K3	C066	J5	H9	S1,2,5,8	WT/LB
WALL DIAGONAL CABINET										
 <p>1 Door: 14-3/4" W 30" & 36" High: 2 Adj. shelves 42" High: 3 Adj. Shelves</p> <p>*27" Wide x 15" Deep</p>	WDC2430	A	A	A	A	A	A	A	A	48.0
	WDC2436	A	A	A	A	A	A	A	A	51.0
	WDC2442	A	A	A	A	A	A	A	A	66.0
	WDC273615*	A	A	A	A	A	A	A	A	66.0
	WDC274215*	A	A	A	A	A	A	A	A	76.0
WALL DIAGONAL CABINET - GLASS INSERT READY										
 <p>1 Door: 14-3/4" W 30" & 36" High: 2 Adj. Glass Shelves Not Included 42" High: 3 Adj. Glass Shelves Not Included</p> <p>Matching Color Interior</p> <p>*27" Wide x 15" Deep</p> <p>Note: Glass Shelf & Glass Insert Not Included</p>	WMDC2430H	A	A	A	A	A	A	A	A	35.0
	WMDC2436H	A	A	A	A	A	A	A	A	39.0
	WMDC2442H	A	A	A	A	A	A	A	A	44.0
	WMDC273615H*	A	A	A	A	A	A	A	A	48.0
	WMDC274215H*	A	A	A	A	A	A	A	A	57.0
APPLIANCE GARAGE / COUNTER TAMBOUR										
 <p>All-wood</p> <p>Standard 18" High 24", 27" Deep</p> <p>Note: Use it with Wall Diagonal Cab. Install it after countertop is installed</p>	AG2418	A	A	A	A	A	A	A	A	23.0
	AG2718	A	A	A	A	A	A	A	A	25.0

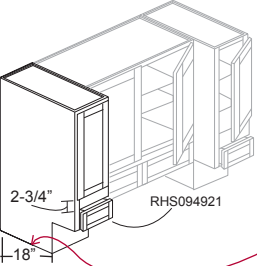

	ITEM CODE	K10	M01	A7	K8/K3	C066	J5	H9	S1,2,5,8	WT/LB
WALL END CORNER CABINET										
 <p>2 Doors: 8-3/4" W 30" & 36" High: 2 Adj. Shelves 42" High: 3 Adj. Shelves</p>	WEC1230	A	A	A	A	A	A	A	A	20.0
	WEC1236	A	A	A	A	A	A	A	A	23.0
	WEC1242	A	A	A	A	A	A	A	A	26.0
MICROWAVE CABINET - OPEN SHELF										
 <p>2 Doors 1 Open Shelf</p> <p>Opening: 24" W x 16" H Shelf Overhang: 5-1/4"</p>	WBL2730	A	A	A	A	A	A	A	A	35.0
	WBL2736	A	A	A	A	A	A	A	A	38.0
	WBL2742	A	A	A	A	A	A	A	A	43.0
WALL END OPEN SHELF (L/R)										
 <p>9" W x 12" D 30" & 36" High: 3 Fixed Shelves</p> <p>42" High: 4 Fixed Shelves</p> <p>Matching Color Finish</p> <p>Note: Curved Molding Not Available</p>	WES0930	A	A	A	A	A	A	A	A	15.0
	WES0936	A	A	A	A	A	A	A	A	17.0
	WES0942	A	A	A	A	A	A	A	A	20.0
WALL SPICE DRAWER CABINET										
 <p>5 Drawers: 5-3/4" x 5-1/2" 30" Wide 6" High 12" Deep</p>	WWRC6	A	A	A	A	A	A	A	A	30.0

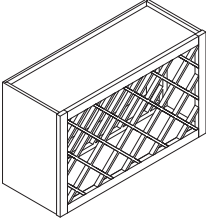
Note: Style and product availability may vary slightly from those shown in this catalog due to material availability and/or improvements to our designs. Specifications are subject to change without notice. Finger joint technique is used in some of our molding and decorative items, which is acceptable in industry standard. Natural variations of wood make the possibility of the finger joints visible. There is 1/4" to 1/2" deviation on all vanity cabinets. Check with your sales representative for product specification before planning your projects.

A: Available to Order
N: Not Available
C: Call First

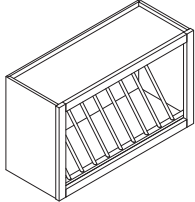
		ITEM CODE	K10	M01	A7	K8/K3	CO66	J5	H9	S1,2,5,8	WT/LB
TAPERED WOOD HOOD											
	36", 42" Wide 24" High 9" Deep	RHE3624	C	C	C	C	C	C	C	C	28.5
		RHE4224	C	C	C	C	C	C	C	C	C

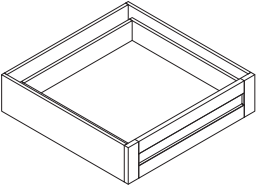
HEARTH HOOD PIER											
	9" Wide 42" High 21" Deep On Countertop	RHS094221	C	C	C	C	C	C	C	C	31.0

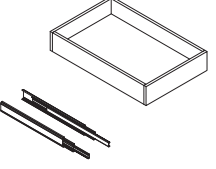
HEARTH HOOD PIER - WALL HUNG											
	9" Wide 49" High 21" Deep On the Wall	RHS094921	C	C	C	C	C	C	C	C	41.0
		SOLD SEPERATELY  GC58 (See Pg.43) RC58 (See Pg. 43) SC58 (See Pg.43)									
<p>Note: Cut to 15" to Fit Corbels</p>											

WINE RACK											
	15" High 30WR: 10 Compartments 36WR: 14 Compartments Matching Color Finish	30WR	A	A	A	A	A	A	A	A	19.0
		36WR	A	A	A	A	A	A	A	A	A

		ITEM CODE	K10	M01	A7	K8/K3	CO66	J5	H9	S1,2,5,8	WT/LB
GLASS RACK											
	All-wood 1-1/2" High Matching Color Finish	30GR	A	A	A	A	A	A	A	A	4.5
		36GR	A	A	A	A	A	A	A	A	A

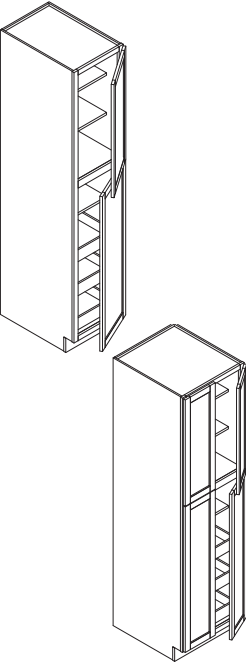
PLATE RACK CABINET											
	All-wood 18" H with 15" H Opening WCD3018: 10 Plates WCD3618: 12 Plates Matching Color Finish	WCD3018	C	C	C	C	C	C	C	C	19.0
		WCD3618	C	C	C	C	C	C	C	C	C

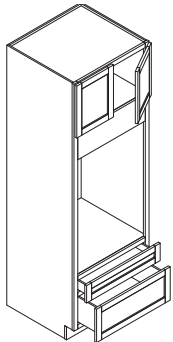
KNEE DRAWER												
	21" Deep 1 Drawer Box: 7-1/2" H on A7,M01,K10,K8, K3 Box: 8-1/2" H on CO66, J5, S1, S2, S8, H9	FD24	A	A	A	A	A	A	A	A	25.0	
		FD27	C	C	C	C	C	C	C	C	C	26.0
		FD30	A	A	A	A	A	A	A	A	A	27.0

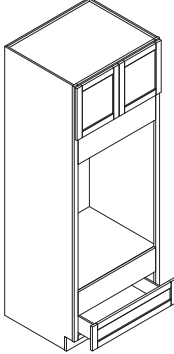
ROLL-OUT TRAY - STANDARD SIDE GLIDE												
	Clear Coat Finish 3-3/4" H Ball Bearing Soft-Close Side Glides Included, for 24" Deep Cabinets Only Note: 26" Glide Sold Separately for 27" Deep Pantry	RD15	A	A	A	A	A	A	A	A	9.0	
		RD18	A	A	A	A	A	A	A	A	A	10.0
		RD21	A	A	A	A	A	A	A	A	A	11.0
		RD24	A	A	A	A	A	A	A	A	A	11.0
		RD27	A	A	A	A	A	A	A	A	A	11.0
		RD30	A	A	A	A	A	A	A	A	A	13.0
		RD33	A	A	A	A	A	A	A	A	A	15.0
RD36	A	A	A	A	A	A	A	A	A	16.0		

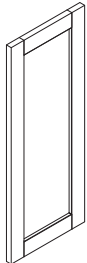
A: Available to Order N: Not Available C: Call First

SPECIALTY CABINETS

PANTRY CABINET-WITH ROLL-OUT TRAYS		ITEM CODE	K10	M01	A7	K8 / K3	CO66	J5	H9	S1,2,5,8	WT./LB
 <p>27" Deep 18" Wide: 2 Doors 24" & 30" Wide: 4 Doors</p> <p>3 Roll Outs with Ball Bearing Glide</p> <p>1 Shelf in the Bottom Box</p> <p>84" & 90" H: 2 Adj. Shelves in the Top Box</p> <p>96" H: 3 Adj. Shelves in the Top Box</p> <p>Upper Door: 30", 36", 42" H Lower Door: 49-1/2" H</p>	WP188427	A	A	A	A	A	A	A	A	A	120.0
	WP189027	A	A	A	A	A	A	A	A	A	135.0
	WP189627	A	A	A	A	A	A	A	A	A	143.0
	WP248427	A	A	A	A	A	A	A	A	A	150.0
	WP249027	A	A	A	A	A	A	A	A	A	156.0
	WP249627	A	A	A	A	A	A	A	A	A	170.0
	WP308427	A	A	A	A	A	A	A	A	A	178.0
	WP309027	A	A	A	A	A	A	A	A	A	185.0
	WP309627	A	A	A	A	A	A	A	A	A	192.0

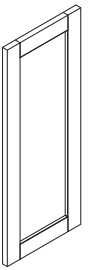
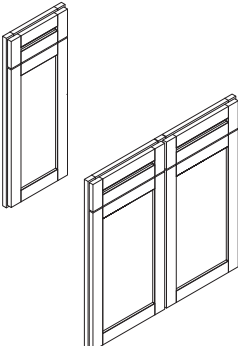
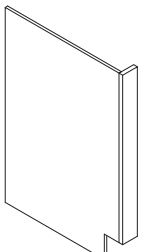
OVEN CABINET - WITH TWO DRAWERS		ITEM CODE	K10	M01	A7	K8 / K3	CO66	J5	H9	S1,2,5,8	WT./LB
 <p>27" Deep 2 Doors: 12", 18", 24" H</p> <p>Upper Rail: 10-1/2" H Lower Rail: 2-7/8" H</p> <p>Stile: 1-1/2" W on 30" Cab. 2-1/8" W on 33" Cab.</p> <p>Note: Trim or Add to Fit Oven</p>	OC308427	C	C	C	C	C	C	C	C	C	144.0
	OC309027	A	A	A	A	A	A	A	A	A	152.0
	OC309627	A	A	A	A	A	A	A	A	A	152.0
	OC338427	C	C	C	C	C	C	C	C	C	157.0
	OC339027	A	A	A	A	A	A	A	A	A	160.0
	OC339627	A	A	A	A	A	A	A	A	A	185.0
	<table border="1"> <thead> <tr> <th colspan="2">K10, M01, A7, K8, K3, J5, CO66, H9, S1, S2, S5, S8</th> </tr> </thead> <tbody> <tr> <td>30" Cab. Actual Opening</td> <td>27" W x 38-7/16" H</td> </tr> <tr> <td>33" Cab. Actual Opening</td> <td>28-3/4" W x 38-7/16" H</td> </tr> </tbody> </table>		K10, M01, A7, K8, K3, J5, CO66, H9, S1, S2, S5, S8		30" Cab. Actual Opening	27" W x 38-7/16" H	33" Cab. Actual Opening	28-3/4" W x 38-7/16" H			
	K10, M01, A7, K8, K3, J5, CO66, H9, S1, S2, S5, S8										
	30" Cab. Actual Opening	27" W x 38-7/16" H									
	33" Cab. Actual Opening	28-3/4" W x 38-7/16" H									
	<table border="1"> <thead> <tr> <th>Drawers</th> <th>Upper</th> <th>Lower</th> </tr> </thead> <tbody> <tr> <td>K10, M01, A7, K8, K3</td> <td>6" H</td> <td>11-3/8" H</td> </tr> <tr> <td>J5, CO66, S1, S2, S5, S8, H9</td> <td>7" H</td> <td>10-7/8" H</td> </tr> </tbody> </table>		Drawers	Upper	Lower	K10, M01, A7, K8, K3	6" H	11-3/8" H	J5, CO66, S1, S2, S5, S8, H9	7" H	10-7/8" H
	Drawers	Upper	Lower								
K10, M01, A7, K8, K3	6" H	11-3/8" H									
J5, CO66, S1, S2, S5, S8, H9	7" H	10-7/8" H									

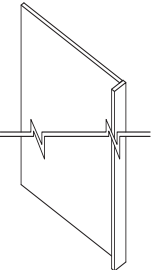
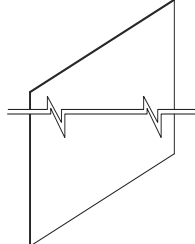


OVEN CABINET - WITH ONE DRAWER		ITEM CODE	K10	M01	A7	K8 / K3	CO66	J5	H9	S1,2,5,8	WT./LB
 <p>27" Deep 2 Doors: 12", 18", 24" H</p> <p>Upper Rail: 9-1/4" H Lower Rail: 5-1/2" H</p> <p>Stile: 1-1/2" W on 30" Cab. 2-1/8" W on 33" Cab.</p> <p>Note: Trim or Add to Fit Oven</p>	OC308427WO	C	C	C	C	C	C	C	C	C	124.0
	OC309027WO	A	A	A	A	A	A	A	A	A	130.0
	OC309627WO	A	A	A	A	A	A	A	A	A	143.0
	OC338427WO	C	C	C	C	C	C	C	C	C	132.0
	OC339027WO	A	A	A	A	A	A	A	A	A	141.0
	OC339627WO	A	A	A	A	A	A	A	A	A	145.0
	<table border="1"> <thead> <tr> <th colspan="2">K10, M01, A7, K8, K3</th> </tr> </thead> <tbody> <tr> <td>30" Cab. Actual Opening</td> <td>27" W x 43-7/16" H</td> </tr> <tr> <td>33" Cab. Actual Opening</td> <td>28-3/4" W x 43-7/16" H</td> </tr> </tbody> </table>		K10, M01, A7, K8, K3		30" Cab. Actual Opening	27" W x 43-7/16" H	33" Cab. Actual Opening	28-3/4" W x 43-7/16" H			
	K10, M01, A7, K8, K3										
	30" Cab. Actual Opening	27" W x 43-7/16" H									
	33" Cab. Actual Opening	28-3/4" W x 43-7/16" H									
	<table border="1"> <thead> <tr> <th colspan="2">J5, CO66, S1, S2, S5, S8, H9</th> </tr> </thead> <tbody> <tr> <td>30" Cab. Actual Opening</td> <td>27" W x 43-7/16" H</td> </tr> <tr> <td>33" Cab. Actual Opening</td> <td>28-3/4" W x 43-7/16" H</td> </tr> </tbody> </table>		J5, CO66, S1, S2, S5, S8, H9		30" Cab. Actual Opening	27" W x 43-7/16" H	33" Cab. Actual Opening	28-3/4" W x 43-7/16" H			
	J5, CO66, S1, S2, S5, S8, H9										
30" Cab. Actual Opening	27" W x 43-7/16" H										
33" Cab. Actual Opening	28-3/4" W x 43-7/16" H										
<table border="1"> <thead> <tr> <th colspan="2">Drawers Height</th> </tr> </thead> <tbody> <tr> <td>K10, M01, A7, K8, K3</td> <td>11-3/8" H</td> </tr> <tr> <td>J5, CO66, S1, S2, S5, S8, H9</td> <td>10-7/8" H</td> </tr> </tbody> </table>		Drawers Height		K10, M01, A7, K8, K3	11-3/8" H	J5, CO66, S1, S2, S5, S8, H9	10-7/8" H				
Drawers Height											
K10, M01, A7, K8, K3	11-3/8" H										
J5, CO66, S1, S2, S5, S8, H9	10-7/8" H										

DUMMY DOOR - FULL DOOR		ITEM CODE	K10	M01	A7	K8 / K3	CO66	J5	H9	S1,2,5,8	WT./LB
 <p>12", 15", 18", 21" Wide 30", 36", 42" High 3/4" Thick Predrilled Hinge Holes</p>	W1230F	A	A	A	A	A	A	A	A	A	5.0
	W1236F	A	A	A	A	A	A	A	A	A	6.0
	W1242F	A	A	A	A	A	A	A	A	A	7.0
	W1530F	C	C	C	C	C	C	C	C	C	5.5
	W1536F	C	C	C	C	C	C	C	C	C	6.5
	W1542F	C	C	C	C	C	C	C	C	C	7.5
	W1830F	C	C	C	C	C	C	C	C	C	6.0
	W1836F	C	C	C	C	C	C	C	C	C	6.5
	W1842F	C	C	C	C	C	C	C	C	C	7.0
	W2130F	C	C	C	C	C	C	C	C	C	7.0
	W2136F	C	C	C	C	C	C	C	C	C	7.5
	W2142F	C	C	C	C	C	C	C	C	C	8.0

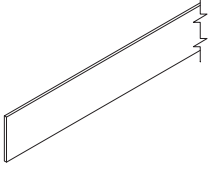
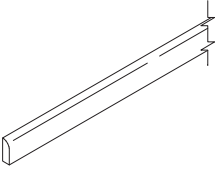
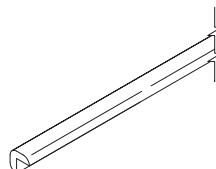
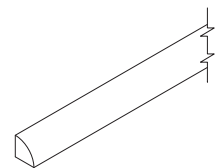
Note: Style and product availability may vary slightly from those shown in this catalog due to material availability and/or improvements to our designs. Specifications are subject to change without notice. Finger joint technique is used in some of our molding and decorative items, which is acceptable in industry standard. Natural variations of wood make the possibility of the finger joints visible. There is 1/4" to 1/2" deviation on all vanity cabinets. Check with your sales representative for product specification before planning your projects.

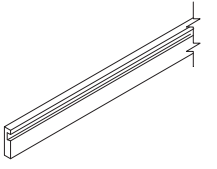
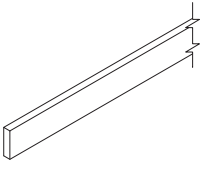
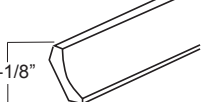
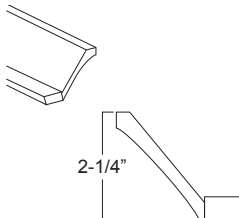
A: Available to Order N: Not Available C: Call First

		ITEM CODE	K10	M01	A7	K8/K3	C066	J5	H9	S1,2,5,8	WT/LB
DUMMY DOOR - TALL DOORS											
	27" Wide 30", 36", 42" High 3/4" Thick Predrilled Hinge Holes	W2730F (2 pcs/set)	C	C	C	C	C	C	C	C	8.0
		W2736F (2 pcs/set)	C	C	C	C	C	C	C	C	8.5
		W2742F (2 pcs/set)	C	C	C	C	C	C	C	C	9.0
	Base Dummy Door: 21", 24" Wide 28", 30" High 3/4" Thick No Predrilled Hinge Holes	BDD21	C	C	C	C	C	C	C	C	6.0
		BDD24	A	A	A	A	A	A	A	A	7.0
	Wall Pantry Dummy Door: 12", 15", 18", 27" Wide 49-1/2" High 3/4" Thick Predrilled Hinge Holes	WP18BF	C	C	C	C	C	C	C	C	7.0
		WP24BF (2 pcs/set)	C	C	C	C	C	C	C	C	7.5
		WP27BF (2 pcs/set)	C	C	C	C	C	C	C	C	8.0
		WP30BF (2 pcs/set)	C	C	C	C	C	C	C	C	8.5
	DUMMY DOOR & DRAWER										
	30" High 1-1/2" Thick Face-frame Attached	B18F	A	A	A	A	A	A	A	A	11.0
		B30F	C	C	C	C	C	C	C	C	18.0
		B36F	C	C	C	C	C	C	C	C	24.0
	B18F: 1 DR, 1 DRW B30F: 2 DR, 2 DRW B36F: 2 DR, 2 DRW										
DISHWASHER RETURN PANEL											
	3" Return Filler 23-1/4" Deep Panel 34-1/2" High Note: Not Assembled & Toe Kick Not Included	DWR	A	A	A	A	A	A	A	A	9.5

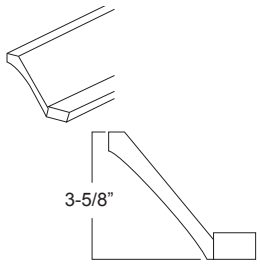
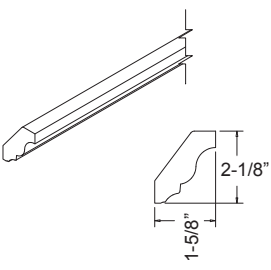
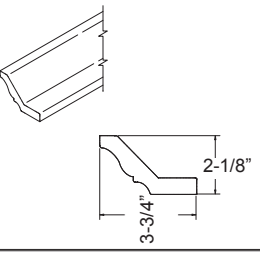
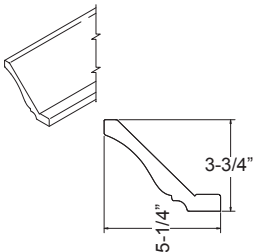
		ITEM CODE	K10	M01	A7	K8/K3	C066	J5	H9	S1,2,5,8	WT/LB
REFRIGERATOR RETURN PANEL											
	3" Return Filler 26-1/4" Deep Panel 84", 90", 96" High Optional 1-1/2" Return Filler Sold Separately (Item Code: CM34-1 1/2) Note: Not Assembled No Return Filler, 4 Sides Edge Banded, 27" W x 96" H x 3/4" Thick	RRP8427	C	C	C	C	C	C	C	C	26.0
		RRP9027	C	C	C	C	C	C	C	C	28.4
		RRP9627	A	A	A	A	A	A	A	A	30.0
		*RRP9627*3/4	C	C	C	C	C	C	C	C	25.00
FINISHED SKIN PANEL											
	1/4" Thick 36" Wide 96" High BP3696: Short Grain BP9636: Long Grain	BP3696	A	A	A	A	A	A	A	A	13.2
		BP9636	A	A	A	A	A	A	A	A	13.2
		BP4896	C	C	C	C	C	C	C	C	18.0
WALL FILLER											
	All-wood 3", 6, 12" Wide 30", 36", 42" High Matching Finish on One Side	WF330	A	A	A	A	A	A	A	A	1.5
		WF336	A	A	A	A	A	A	A	A	2.0
		WF342	A	A	A	A	A	A	A	A	2.5
		WF630	A	A	A	A	A	A	A	A	2.0
		WF636	A	A	A	A	A	A	A	A	3.5
		WF642	A	A	A	A	A	A	A	A	4.5
		WF1236	C	C	C	C	C	C	C	C	7.0
BASE FILLER											
	All-wood 3" or 6" Wide Toe-Kick Attached	BF3	A	A	A	A	A	A	A	A	2.5
		BF6	A	A	A	A	A	A	A	A	5.0

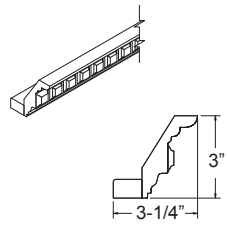
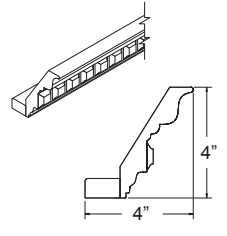
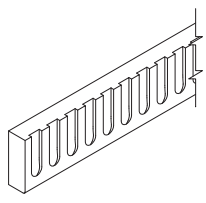
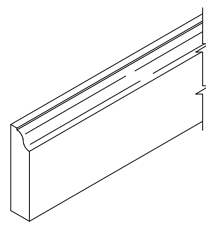
A: Available to Order N: Not Available C: Call First

		ITEM CODE	K10	M01	A7	K8/K3	C066	J5	H9	S1,2,5,8	WT/LB
TOE KICK											
	4-1/2" Wide 1/4" Thick 96" Long	TK8	A	A	A	A	A	A	A	A	0.8
SCRIBE MOLDING											
	3/4" Wide 1/4" Thick 96" Long	SM8	A	A	A	A	A	A	A	A	0.5
OUTSIDE CORNER MOLDING											
	3/4" Deep 3/4" Wide 1/4" Thick 96" Long	OCM8	A	A	A	A	A	A	A	A	0.7
QUARTER ROUND MOLDING											
	3/4" Deep 3/4" Wide 120" Long	QRM10	A	A	A	A	A	A	A	A	2.0

		ITEM CODE	K10	M01	A7	K8/K3	C066	J5	H9	S1,2,5,8	WT/LB
FACE FRAME DADO-FILLER											
	1-1/2" Wide 3/4" Thick 120" Long Note: Good for Ref. Panel & Semi-Custom Cabinet	CM34- 1 1/2	A	A	A	A	A	A	A	A	2.5
TALL FILLER											
	3", 6" Wide 3/4" Thick 120" Long *CM34-9: 9" W x 84" Long	CM34-3	A	A	A	A	A	A	A	A	5.0
		CM34-6	A	A	A	A	A	A	A	A	10.0
		*CM34-9	C	C	C	C	C	C	C	C	C
COVE MOLDING											
	Standing Height: 2-1/4" Standing Depth: 2-1/8" 120" Long	ST10	C	C	C	C	C	C	C	A	9.5
COVE MOLDING - WITH BASE - SMALL											
	Standing Height: 2-1/4" Standing Depth: 3-7/8" 120" Long	AST10 3-1/4	C	C	C	C	C	C	C	A	10.0

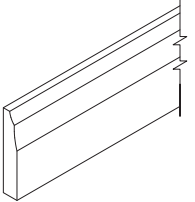
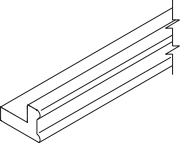
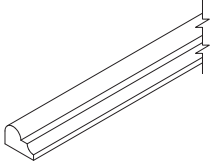
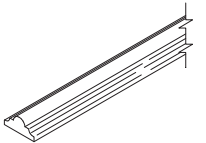
Note: Style and product availability may vary slightly from those shown in this catalog due to material availability and/or improvements to our designs. Specifications are subject to change without notice. Finger joint technique is used in some of our molding and decorative items, which is acceptable in industry standard. Natural variations of wood make the possibility of the finger joints visible. There is 1/4" to 1/2" deviation on all vanity cabinets. Check with your sales representative for product specification before planning your projects.

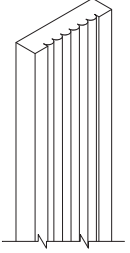
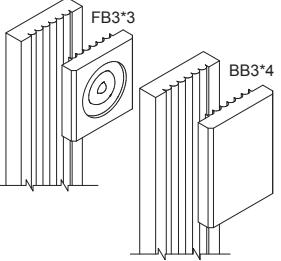
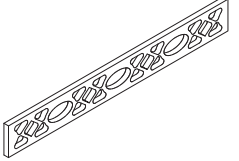
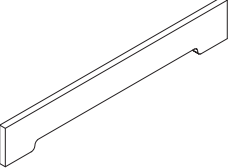
		ITEM CODE	K10	M01	A7	K8/K3	CO66	J5	H9	S1,2,5,8	WT/LB
COVE MOLDING - WITH BASE - LARGE											
	Standing Height: 3-5/8" Standing Depth: 5-1/4" 120" Long	AST10 5-1/4	C	C	C	C	C	C	C	A	12.0
CROWN MOLDING											
	Standing Height: 2-1/8" Standing Depth: 1-5/8" 120" Long	CM10	A	A	A	A	A	A	A	N	9.5
CROWN MOLDING - WITH BASE - SMALL											
	Standing Height: 2-1/8" Standing Depth: 3-3/4" 120" Long	ACM10 3-1/4	A	A	A	A	A	A	A	N	10.0
CROWN MOLDING - WITH BASE - LARGE											
	Standing Height: 3-3/4" Standing Depth: 5-1/4" 120" Long	ACM10 5-1/4	A	A	A	A	A	A	A	N	12.0

		ITEM CODE	K10	M01	A7	K8/K3	CO66	J5	H9	S1,2,5,8	WT/LB
CROWN DENTIL MOLDING - WITH BASE - SMALL											
	Standing Height: 3" Standing Depth: 3-1/4" 120" Long	CCM10-B	A	A	A	A	A	A	A	N	11.0
CROWN DENTIL MOLDING - WITH BASE - LARGE											
	Standing Height: 4" Standing Depth: 4" 120" Long	CCM10-A	A	A	A	A	A	A	A	N	13.0
DENTIL MOLDING											
	2-1/4" Wide 3/4" Thick 120" Long	WDM10	C	C	C	C	C	C	C	N	4.5
OGEE MOLDING											
	3" Wide 3/4" Thick 120" Long	OGM10	A	A	A	A	A	A	A	A	5.5

A: Available to Order N: Not Available C: Call First

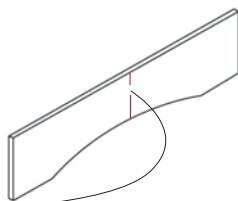
MOLDINGS & DÉCOR

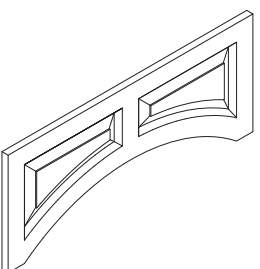
		ITEM CODE	K10	M01	A7	K8/K3	C066	J5	H9	S1,2,5,8	WT/LB
BASE MOLDING											
	4-1/2" Wide 3/4" Thick 120" Long	BM10-4 1/2	A	A	A	A	A	A	A	A	4.5
LIGHT RAIL MOLDING											
	1-1/2" Wide 2-1/4" Deep 120" Long	TLR10-A	A	A	A	A	A	A	A	A	10.0
CHAIR RAIL MOLDING - 1/2											
	1-1/8" Wide 3/4" Thick 120" Long	CR10	A	A	A	A	A	A	A	A	2.0
CHAIR RAIL MOLDING											
	1-5/8" Wide 3/4" Thick 120" Long	FSM10	A	A	A	A	A	A	A	A	4.0

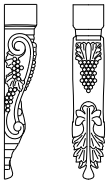
		ITEM CODE	K10	M01	A7	K8/K3	C066	J5	H9	S1,2,5,8	WT/LB
FLUTED FILLER											
	3" or 6" Wide 3/4" Thick 96" Long	PCVFF3	A	A	A	A	A	A	A	A	4.0
		PCFFF6	C	C	C	C	C	C	C	C	8.0
FLUTED BLOCK											
	Plinth - BB3*4: 3" W x 4" H Rosette - FB3*3: 3" W x 3" H	BB3*4	C	C	C	C	C	C	C	C	0.5
		FB3*3	C	C	C	C	C	C	C	C	0.5
FRIEZE VALANCE											
	4-1/2" Wide 3/4" Thick 30" - 60" Long	V30A	A	A	A	A	A	A	A	N	1.5
		V33A	C	C	C	C	C	C	C	N	1.8
		V36A	A	A	A	A	A	A	A	N	2.0
		V42A	A	A	A	A	A	A	A	N	2.5
		V54A	A	A	A	A	A	A	A	N	4.0
		V60A	A	A	A	A	A	A	A	N	5.0
ARCH VALANCE											
	4-1/2" Wide 3/4" Thick 30"-60" Long	V30B	A	A	A	A	A	A	A	A	1.5
		V33B	C	C	C	C	C	C	C	C	1.8
		V36B	A	A	A	A	A	A	A	A	2.0
		V42B	A	A	A	A	A	A	A	A	2.5
		V48B	C	C	C	C	C	C	C	C	3.0
		V54B	A	A	A	A	A	A	A	A	4.0
		V60B	A	A	A	A	A	A	A	A	5.0


Note: Style and product availability may vary slightly from those shown in this catalog due to material availability and/or improvements to our designs. Specifications are subject to change without notice. Finger joint technique is used in some of our molding and decorative items, which is acceptable in industry standard. Natural variations of wood make the possibility of the finger joints visible. There is 1/4" to 1/2" deviation on all vanity cabinets. Check with your sales representative for product specification before planning your projects.

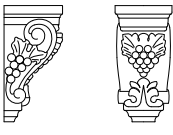
A: Available to Order N: Not Available C: Call First

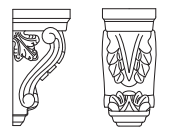
		ITEM CODE	K10	M01	A7	K8/K3	C066	J5	H9	S1,2,5,8	WT/LB
ARCH VALANCE - FLATE LARGE											
 <p>36" - 60" Wide 8" High 3/4" Thick</p> <p>*15" High</p> <p>Note: Finger Joined Panel</p> <p>Center: 5" & 8-1/4" for RPV60</p>	RPV36	C	C	C	C	C	C	C	C	C	4.0
	RPV42	C	C	C	C	C	C	C	C	C	5.0
	RPV54	C	C	C	C	C	C	C	C	C	8.0
	RPV60*	C	C	C	C	C	C	C	C	C	10.0

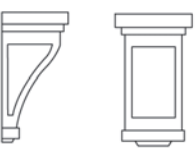
ARCH VALANCE- LARGE RAISED PANEL											
 <p>36"-72" Long 3/4" Thick 15" High 4-1/2" Arch Height</p>	RPV36-A	C	C	C	C	C	C	C	C	C	6.0
	RPV42-A	C	C	C	C	C	C	C	C	C	7.0
	RPV48-A	C	C	C	C	C	C	C	C	C	9.0
	RPV54-A	C	C	C	C	C	C	C	C	C	10.0
	RPV60-A	C	C	C	C	C	C	C	C	C	12.0
	RPV72-A	C	C	C	C	C	C	C	C	C	15.0

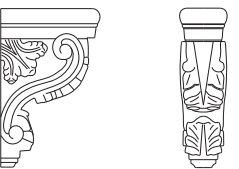
CORBEL - TALL GRAPE											
 <p>3-1/2" Wide 3" Deep 18" High</p>	OLC318	C	C	C	C	C	C	C	C	N	2.0

CORBEL - TALL ACANTHUS											
 <p>3-1/2" Wide 3" Deep 18" High</p>	RLC318	C	C	C	C	C	C	C	C	N	2.0

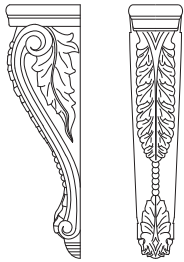
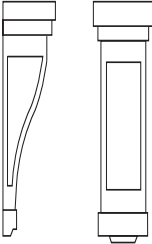

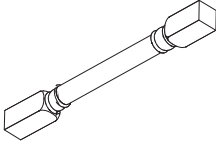
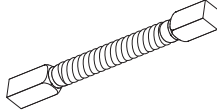
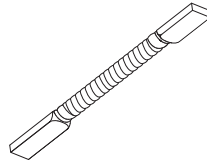

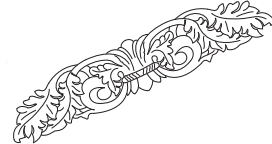
		ITEM CODE	K10	M01	A7	K8/K3	C066	J5	H9	S1,2,5,8	WT/LB
CORBEL - WIDE GRAPE											
 <p>4-1/2" Wide 5" Deep 10" High</p>	GC58	C	C	C	C	C	C	C	C	N	3.0

CORBEL - WIDE ACANTHUS											
 <p>4-1/2" Wide 5" Deep 10" High</p>	RC58	C	C	C	C	C	C	C	C	N	3.0

CORBEL - WIDE MISSION											
 <p>4-1/2" Wide 5" Deep 10-1/2" High</p>	SC58	C	C	C	C	C	C	C	C	C	3.0

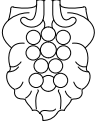

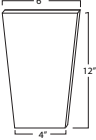
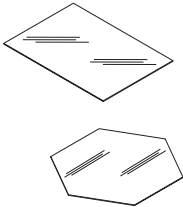
CORBEL - NARROW ACANTHUS											
 <p>3-1/2" Wide 8-1/4" Deep 13" High</p>	RC313	C	C	C	C	C	C	C	C	N	8.0

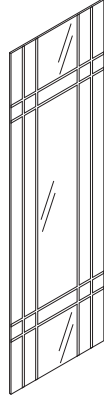
A: Available to Order N: Not Available C: Call First

		ITEM CODE	K10	M01	A7	K8 / K3	CO66	J5	H9	S1,2,5,8	WT./LB
CORBEL - LARGE ACANTHUS											
	5-1/2" Wide 7-1/2" Deep 30" High	RC530	C	C	C	C	C	C	C	N	27.0
CORBEL - LARGE MISSION											
	5-1/2" Wide 7" Deep 30" High	SC530	C	C	C	C	C	C	C	C	27.0
CORBEL - EXTRA LARGE ACANTHUS											
	6-1/4" Wide 8-1/2" Deep 34-1/2" High	CB34 1/2A	C	C	C	C	C	C	C	N	29.0
POST - FULL TRADITIONAL											
	3" Wide 3" Deep 34-1/2" High	SP3X34 1/2	A	A	A	A	A	A	A	A	5.0
POST - FULL ROPE											
	3" Wide 3" Deep 34-1/2" High	RP34 1/2	C	C	C	C	C	C	C	N	5.0
POST - SPLIT ROPE											
	2" Wide 3/4" Thick 18" - 42" High	RPS18	C	C	C	C	C	C	C	C	0.5
		RPS24	C	C	C	C	C	C	C	C	1.0
		RPS30	C	C	C	C	C	C	C	C	1.5
		RPS36	C	C	C	C	C	C	C	C	1.8
		RPS42	C	C	C	C	C	C	C	C	2.1
ONLAY - GRAPE											
	20" Wide 3/4" Thick 4-1/2" High	GRPO	C	C	C	C	C	C	C	N	1.0
ONLAY - LEAF											
	20" Wide 3/4" Thick 4-1/2" High	RRPO	C	C	C	C	C	C	C	N	1.0

Note: Style and product availability may vary slightly from those shown in this catalog due to material availability and/or improvements to our designs. Specifications are subject to change without notice. Finger joint technique is used in some of our molding and decorative items, which is acceptable in industry standard. Natural variations of wood make the possibility of the finger joints visible. There is 1/4" to 1/2" deviation on all vanity cabinets. Check with your sales representative for product specification before planning your projects.

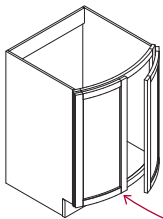
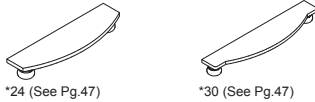
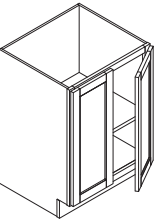
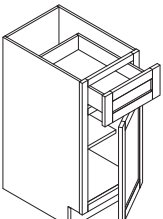
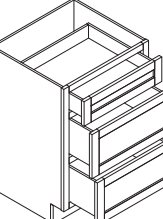
A: Available to Order N: Not Available C: Call First

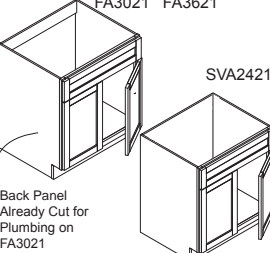
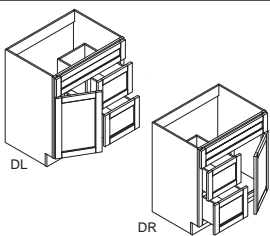
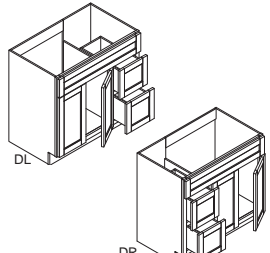
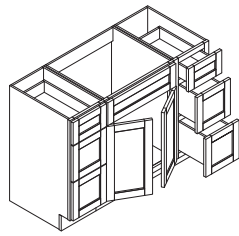
		ITEM CODE	K10	M01	A7	K8 / K3	C066	J5	H9	S1,2,5,8	WT/LB
ONLAY - SMALL GRAPE ORNAMENT											
	3" Wide 4" High 3/4" Thick	SGO	C	C	C	C	C	C	C	N	0.5
ONLAY - SMALL LEAF ORNAMENT											
	3" Wide 4" High 3/4" Thick	RGO	C	C	C	C	C	C	C	N	0.5
KEY STONE											
	Top 6" W & Bottom 4" W 12" High 3/4" Thick	CO12	C	C	C	C	C	C	C	C	1.0
GLASS SHELF - TEMPERED											
	Use on WM****H Cab. Note: Caution When Shipping	GSH-15 (WM1530/36/42H)	A	A	A	A	A	A	A	A	6.0
		GSH-18 (WM1830/36/42H)	A	A	A	A	A	A	A	A	8.0
		GSH-21 (WM2130/36/42H)	C	C	C	C	C	C	C	C	8.5
		GSH-24 (WM2430/36/42H)	A	A	A	A	A	A	A	A	8.5
		GSH-27 (WM2730/36/42H)	A	A	A	A	A	A	A	A	9.0
		GSH-30 (WM3030/36/42H)	A	A	A	A	A	A	A	A	9.5
		GSH-WMDC24*12 (WMDC2430/36/42H)	A	A	A	A	A	A	A	A	10.0
		GSH-WMDC27*15 (WMDC2736/36/42H)	A	A	A	A	A	A	A	A	12.0

		ITEM CODE	K10	M01	A7	K8 / K3	C066	J5	H9	S1,2,5,8	WT/LB	
GLASS INSERT - TEMPERED - GRID PATTERN												
	Use on WM****H Cab. In Red (K): For K8, K3 & K10 Cab. *WM24 & 27** Cab. Need Two Glass Inserts Note: Caution When Shipping	GI-12/24*30 (WM1230/2430-01)	A	A	A	A	A	A	A	A	5.0	
		GI-12/24*30-K (WM1230/2430-01)	A	A	A	A	A	A	A	A	A	5.0
		GI-12/24*36 (WM1236/2436-01)	A	A	A	A	A	A	A	A	A	5.0
		GI-12/24*36-K (WM1236/2436-01)	A	A	A	A	A	A	A	A	A	5.0
		GI-12/24*42 (WM1242/2442-01)	A	A	A	A	A	A	A	A	A	5.0
		GI-12/24*42-K (WM1242/2442-01)	A	A	A	A	A	A	A	A	A	5.0
		GI-15/30*30 (WM1530/3030-01)	A	A	A	A	A	A	A	A	A	5.0
		GI-15/30*30-K (WM1530/3030-01)	A	A	A	A	A	A	A	A	A	5.0
		GI-15/30*36 (WM1536/3036-01)	A	A	A	A	A	A	A	A	A	5.0
		GI-15/30*36-K (WM1536/3036-01)	A	A	A	A	A	A	A	A	A	5.0
		GI-15/30*42 (WM1542/3042-01)	A	A	A	A	A	A	A	A	A	5.0
		GI-15/30*42-K (WM1542/3042-01)	A	A	A	A	A	A	A	A	A	5.0
		GI-18*30 (WM1830-01)	A	A	A	A	A	A	A	A	A	5.0
		GI-18*30-K (WM1830-01)	A	A	A	A	A	A	A	A	A	5.0
		GI-18*36 (WM1836-01)	A	A	A	A	A	A	A	A	A	5.0
		GI-18*36-K (WM1836-01)	A	A	A	A	A	A	A	A	A	5.0
		GI-18*42 (WM1842-01)	A	A	A	A	A	A	A	A	A	5.0
		GI-18*42-K (WM1842-01)	A	A	A	A	A	A	A	A	A	5.0
		GI-21*30 (WM2130-01)	C	C	C	C	C	C	C	C	C	5.0
		GI-21*30-K (WM2130-01)	C	C	C	C	C	C	C	C	C	5.0
GI-21*36 (WM2136-01)	C	C	C	C	C	C	C	C	C	5.0		
GI-21*36-K (WM2136-01)	C	C	C	C	C	C	C	C	C	5.0		
GI-21*42 (WM2142-01)	C	C	C	C	C	C	C	C	C	5.0		
GI-21*42-K (WM2142-01)	C	C	C	C	C	C	C	C	C	5.0		
GI-27*30 (WM2730-01)*	A	A	A	A	A	A	A	A	A	5.0		
GI-27*30-K (WM2730-01)*	A	A	A	A	A	A	A	A	A	5.0		
GI-27*36 (WM2736-01)*	A	A	A	A	A	A	A	A	A	5.0		
GI-27*36-K (WM2736-01)*	A	A	A	A	A	A	A	A	A	5.0		
GI-27*42 (WM2742-01)*	A	A	A	A	A	A	A	A	A	5.0		
GI-27*42-K (WM2742-01)*	A	A	A	A	A	A	A	A	A	5.0		

A: Available to Order N: Not Available C: Call First

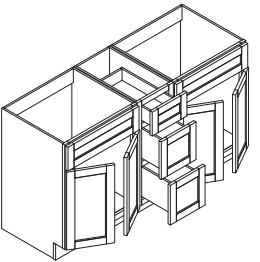
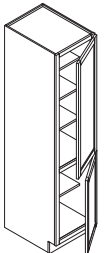
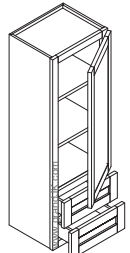
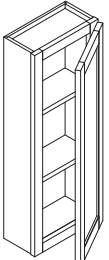
GLASS SHELF & INSERT

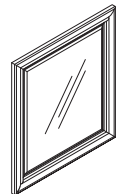
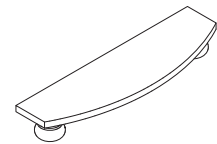
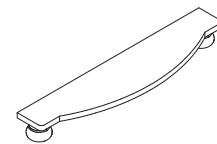

		ITEM CODE	K10	M01	A7	K8/K3	C066	J5	H9	S1,2,5,8	WT/LB
VANITY - BASE CABINET		SVA24	C	C	C	C	C	C	C	N	35.0
	33" High 21" Deep 2 Curved Doors: 27-3/4" H No Shelf Note: Back Panel Already Cut for Plumbing	 <p>SOLD SEPERATELY</p> <p>*24 (See Pg.47) *30 (See Pg.47)</p> <p>Decor Foot Available</p>									
VANITY - BASE CABINET		SVA24P	C	C	C	C	C	C	C	C	41.0
	33" High 21" Deep 2 Doors: 27-3/4" H 1 Shelf Note: Not Cut for Plumbing										
VANITY - BASE CABINET		SVA09P	C	C	C	C	C	C	C	C	29.0
	33" High 21" Deep 1 Drawer 1 Door 1 adj. shelf	SVA12P	C	C	C	C	C	C	C	C	34.0
		SVA15P	C	C	C	C	C	C	C	C	41.0
		SVA18P	C	C	C	C	C	C	C	C	47.0
		SVA21P	C	C	C	C	C	C	C	C	55.0
VANITY - BASE CABINET		SVA09D	A	A	A	A	A	A	A	A	42.0
	33" High 21" Deep 1 Small Drawer 2 Large Drawer	SVA12D	A	A	A	A	A	A	A	A	50.0
		SVA15D	A	A	A	A	A	A	A	A	58.0
		SVA18D	A	A	A	A	A	A	A	A	63.0
		SVA21D	A	A	A	A	A	A	A	A	68.0
		SVA24D	A	A	A	A	A	A	A	A	73.0

		ITEM CODE	K10	M01	A7	K8/K3	C066	J5	H9	S1,2,5,8	WT/LB
VANITY - SINK CABINET		SVA2421	A	A	A	A	A	A	A	A	38.0
	33" High 21" Deep 1 Tilt-out Tray 2 Doors No Shelf Note: Back Panel Already Cut for Plumbing on FA3021	FA3021	A	A	A	A	A	A	A	A	40.0
		FA3621	C	C	C	C	C	C	C	C	50.0
VANITY SINK CABINET COMBO		FA3021DL	A	A	A	A	A	A	A	A	65.0
	33" High 21" Deep 1 Tilt-out Tray 2 Drawers: 12" W 1 Doors: 18" W No Shelf Note: Back Panel Already Cut for Plumbing	FA3021DR	A	A	A	A	A	A	A	A	65.0
VANITY SINK CABINET COMBO		FA3621DL	A	A	A	A	A	A	A	A	67.0
	33" High 21" Deep 1 Tilt-out Tray 2 Drawers: 12" W 2 Doors: 12" W No Shelf Note: Back Panel Already Cut for Plumbing	FA3621DR	A	A	A	A	A	A	A	A	67.0
VANITY SINK CABINET COMBO		FA4821D	A	A	A	A	A	A	A	A	102.0
	33" High 21" Deep 1 Tilt-out Tray 6 Drawers: 12" W 2 Doors: 12" on FA4821D 18" on FA6021D No Shelf Note: Back Panel Already Cut for Plumbing	FA6021D	A	A	A	A	A	A	A	A	120.0

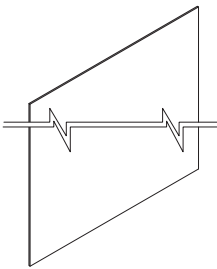
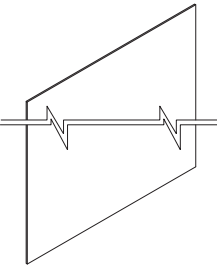




Note: Style and product availability may vary slightly from those shown in this catalog due to material availability and/or improvements to our designs. Specifications are subject to change without notice. Finger joint technique is used in some of our molding and decorative items, which is acceptable in industry standard. Natural variations of wood make the possibility of the finger joints visible. There is 1/4" to 1/2" deviation on all vanity cabinets. Check with your sales representative for product specification before planning your projects.

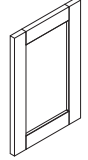



A: Available to Order N: Not Available C: Call First

		ITEM CODE	K10	M01	A7	K8/K3	CO66	J5	H9	S1,2,5,8	WT/LB												
VANITY SINK CABINET COMBO																							
	33" High 21" Deep 2 Tilt-out Trays 3 Drawers: 12" W 4 Doors: 12" W No Shelf	FA6021DD	A	A	A	A	A	A	A	A	138.0												
VANITY LINEN CABINET																							
	18" Wide 81" High 24" Deep 2 Doors: 47-7/8" & 27-3/4" 4 Shelves	SVA188124P	A	A	A	A	A	A	A	A	96.0												
VANITY COUNTERTOP LINEN CABINET																							
	12" W x 45-1/2" H x 12" D 2 Shelves & 2 Drawers with Ball Bearing Side Glides	DV1245	A	A	A	A	A	A	A	A	40.0												
		<table border="1"> <tr> <td colspan="2">J5, CO66, S1, S2, S5, S8, H9</td> <td colspan="2">K10, M01, A7, K8, K3</td> </tr> <tr> <td>Drawer Height</td> <td>7" H</td> <td>Drawer Height</td> <td>6" H</td> </tr> <tr> <td>Door Height</td> <td>30-1/2" H</td> <td>Door Height</td> <td>32-1/2" H</td> </tr> </table>		J5, CO66, S1, S2, S5, S8, H9		K10, M01, A7, K8, K3		Drawer Height	7" H	Drawer Height	6" H	Door Height	30-1/2" H	Door Height	32-1/2" H								
		J5, CO66, S1, S2, S5, S8, H9		K10, M01, A7, K8, K3																			
Drawer Height	7" H	Drawer Height	6" H																				
Door Height	30-1/2" H	Door Height	32-1/2" H																				
VANITY MEDICINE CABINET																							
	12" Wide 33" High 6" Deep 1 Door 2 Adj. Shelves	WV12336	A	A	A	A	A	A	A	A	16.0												








		ITEM CODE	K10	M01	A7	K8/K3	CO66	J5	H9	S1,2,5,8	WT/LB
VANITY MIRROR											
	Wooden Frame Beveled Edge Mirror Not Tempered Note: Hanging Hardware Not Included	SVAM2427	A	A	A	A	A	A	A	A	15.0
		SVAM3027	A	A	A	A	A	A	A	A	A
DECORATIVE FOOT & SUPPORT											
	24" Wide 7" Deep 4-1/2" High Note: Use It with Vanity Base 24" (SVA24)	*24	C	C	C	C	C	C	C	N	3.5
DECORATIVE FOOT & SUPPORT											
	30" Wide 7" Deep 4-1/2" High Note: Use It with Vanity Base 24" (SVA24)	*30	C	C	C	C	C	C	C	N	4.0
PART - CABINET SIDE PANEL											
	18", 27" Wide 96" H 1/2" Thick Both Side Clear Coat Finish Dadoed for Back Panel	Part-CSP 18*96	C							20.0	
		Part-CSP 27*96	C							30.0	





A: Available to Order N: Not Available C: Call First

		ITEM CODE	K10	M01	A7	K3 / K3	CO66	J5	H9	St, 2,5,8	WT./LB
PART - CABINET BOTTOM PANEL											
	36" W 96" H 1/2" Thick Both Side Clear Coat Finish	Part-CBP-36*96								C	39.0
PART - CABINET SHELF											
	Wood Shelf 22-1/2" or 25-1/2" Wide 96" High 3/4" Thick Clear Coat Finish 4 Side Edge Banded	Part-WS 22.5*96 Part-WS 25.5*96								C C	28.0 28.0
TOUCH UP (Note: For Material Safety Data Sheet Visit: http://www.grandjk.com/wa/Mohawk_MSDS.zip)											
	Wax Stick	FIL-STIK	A	A	A	A	A	A	A	A	0.1
	Marker	MARKER	A	A	A	A	A	A	A	A	0.1
TOUCH UP (Note: For Material Safety Data Sheet Visit: http://www.grandjk.com/wa/Mohawk_MSDS.zip)											
	Stain or Lacquer 4 OZ. Can	STAIN/LACQUER	A	A	A	A	A	A	A	A	0.6
SAMPLE MOLDING BOX											
	Assorted Moldings 4" - 6"/ea.	SAMPLE MOLDING BOX								C	5.0

		ITEM CODE	K10	M01	A7	K3 / K3	CO66	J5	H9	St, 2,5,8	WT./LB
SAMPLE DOOR											
	11-3/4" W 14-1/2" H 3/4" Thick	SAMPLE DOOR	A	A	A	A	A	A	A	A	1.0
DRAWER GLIDE - FULL EXTENSION SOFT-CLOSE UNDERMOUNT											
	Steel Capacity: 75 lbs for 9" - 36" Base	UMFE 15"-S UMFE 18"-S UMFE 21"-S								C C C	3.5 4.2 5.5
DRAWER GLIDE - FULL EXTENSION BALL BEARING SIDE MOUNT											
	Steel Capacity: 75 lbs for 9" - 36" Base *S: Soft-Close	BBG10" BBG14" BBG14"-S BBG16" BBG16"-S BBG18" BBG20" BBG20"-S BBG22" BBG22'-S BBG26"								C C C C C C C C C C C	3.8 5.5 5.5 6.2 6.5 7.8 8.2 8.6 9.8 10.2 10.3
HINGE											
	Metal Concealed Soft-close 6 Way Adj.	0803-New								C	0.3

Note: Style and product availability may vary slightly from those shown in this catalog due to material availability and/or improvements to our designs. Specifications are subject to change without notice. Finger joint technique is used in some of our molding and decorative items, which is acceptable in industry standard. Natural variations of wood make the possibility of the finger joints visible. There is 1/4" to 1/2" deviation on all vanity cabinets. Check with your sales representative for product specification before planning your projects.

		ITEM CODE	K10	M01	A7	K8 / K3	CO66	J5	H9	SI,2,5,8	WT/LB
HINGE - BI-FOLDING											
	Metal - Concealed For Bi-folding Doors Open 165 Degree Use It on LS3612	0804					C				0.3
HINGE - FRAME & DOOR											
	Metal - Concealed Connecting Frame & Door Use It on LS3612	0805					C				0.4
HINGE - UPWARD OPENING											
	Pneumatic Lift	0806					C				0.3
LAZY SUAN TURN PLATE											
	Lazy Susan Turn Plate Metal (Black) 6" x 6"	620					C				1.0
SHELF REST - FOR GLASS SHELF ALSO											
	Rubber Shelf Rest 3/16" Hole	8801					C				0.01
SOUND DAMPENING DOOR BUMPER (Sold in Bulk 50/Sheet)											
	Clear Rubber 3/8" x 1/2"	8803					C				0.01
RETAINER CLIP - FOR GLASS INSERT											
	Retainer Clip for Glass Insert 3/4" x 3/8" x 3/8"	8801A					C				0.01
L - BRACKET-90 DEGREE											
	Metal 7/8" x2-1/8"x 2-1/8"	9810					C				0.1
L - BRACKET 135 DEGREE											
	Metal 5/8" x 1-7/8"x 1-7/8"	9800					C				0.1

		ITEM CODE	K10	M01	A7	K8 / K3	CO66	J5	H9	SI,2,5,8	WT/LB
TRASH BIN - PLASTIC											
	Gray 7 Gallon Use It on BWBK18-2	6910 (1 Bin Trash Cab.)					C				3.0
		6920 (2 Bin Trash Cab.)					C				3.0
STEEL KNOB (Sold in Bulk 20/Box)											
	Satin Nickel 1-3/16" Zinc Die Cast Screw Not Included	SN-B-3910					C				0.3
PULL -STEEL (Sold in Bulk 20/Box)											
	Stainless Steel 4-3/4" L x 1-1/4" H 15/32" Dia. Screw Not Included	T12073					C				0.3
PULL - STEEL (Sold in Bulk 20/Box)											
	Stainless Steel 6-1/8" L x 1-1/4" H 15/32" Dia. Screw Not Included	T15696					C				0.4
PULL - STEEL (Sold in Bulk 20/Box)											
	Stainless Steel 7-3/8" L x 1-1/4" H 15/32" Dia. Screw Not Included	T188128					C				0.4
PULL -STEEL (Sold in Bulk 10/Box)											
	Stainless Steel 5-3/8" L x 1-3/8" H 1/2" Dia. Screws Included	136SN					C				0.3
PULL - STEEL (Sold in Bulk 10/Box)											
	Stainless Steel 6-1/4" L x 1-3/8" H 1/2" Dia. Screws Included	156SN					C				0.4
PULL - STEEL (Sold in Bulk 10/Box)											
	Stainless Steel 8-1/4" L x 1-3/8" H 1/2" Dia. Screws Included	206SN					C				0.4

A: Available to Order N: Not Available C: Call First

HARDWARE

WARRANTY

One to Five Year Warranty

Please contact us for more information

EXCEPTIONAL VALUE WITH ENDLESS POSSIBILITIES



Like us on **Facebook** to receive tips, ideas, news and inspiration.



www.facebook.com/grandjkcabinetry



Follow us on **Twitter** to see more tips, news, photos etc.



www.twitter.com/GrandJKCabinets



Visit our **Youtube** channel for Grand J&K Cabinet introduction, assembly and installation tips and more.



www.youtube.com/KitchenCabinetry



Follow us on **Houzz** to learn ideas, tips, photos and reviews.



www.houzz.com/pro/grandjk/grand-jk-cabinetry-inc



www.grandjk.com

Kitchen is the core and the heart of a home. It's where families and friends tend to gather around and where lives intersect. It's where we eat, drink, share, celebrate, learn, relax... For more information, please visit our website.



www.grandjk.com/dealerlocations/

Talk to a professional Grand J&K Cabinetry dealer or designer for your dream kitchen and bath project.



Your company information here:



www.GrandJK.com

Note: Due to printing limitations, color pictures cannot be guaranteed to match actual cabinet materials. Specifications subject to change without notice. Please check with your dealer(s) for actual door sample when making your selection.